

PROJECT NAME	
CATALOG NUMBER	
NOTES	
FIXTURE TYPE	

PRODUCT DESCRIPTION

The 2X4FT LED GLO are DLC Listed, delivering high Lumen of exceptional 80+ CRI light while achieving 106 lumens per watt. It is available in 4000k,5000k DLC CCT options and 0-10V dimming, which is perfect for new construction applications or retrofitting existing fluorescent troffer fixtures with recessed installation,widely used in office spaces, major retail stores, education,government, healthcare, and hospitality.The troffer Complywith the ZHAGA standards and can be used for simple replacement of PCBA.

PRODUCT SPECIFICATIONS

• LED Chip

Use approved LM-80 SMD packing,Active color management maintains superior color consistency over time and temperature.Every fixture is tuned as a complete system to the optimal color point before shipment,ensuring fixture-to-fixture color consistency.

• Construction:

Steel ,commercial quality paint coating.

Bigger size MCPCB for better thermal management, by separating heat dissipation to reduce the weight of the lamp heat sinking.

IP Rating: Ip20

Additional zhaga standard mounting hole.

• Optical System

Central lens door enables convenience of PCBA's repalcing

With double diffusion material, surface brightness even.

With a mask to prevent glare.

High optical grade lens providing good efficiency and impact resistance.

Recommend Dimmer:

Leviton cat,Nos:

AWRMG-7XX AWSMG-7XX

AWSMT-7XX IP710-LFZ/DLX

[Http://www.leviton.com](http://www.leviton.com)

Lutron cat,Nos:

DIVA-DVTV NOVA-NVTV

NOVAT-NTFTV W/PP20

[Http://www.lutron.com/en-US](http://www.lutron.com/en-US)

ORDER INFORMATION

EXAMPLE: GLO-DM-40E

Product category	Size	Dimming	Fixture wattage	CCT
LED-GLO SERIES	24=2'X4'	D=0-10v Dimming	M=40W H=65W	40=4000k 50=5000k

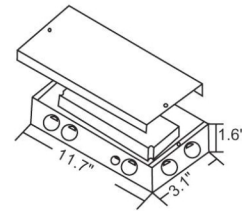
GLO-DM 347V input option

All model emergency backup option

2'X4' LED GLO SERIES

40W 4235LM

65W 7010LM



GLO-DM-40E

PERFORMANCE SUMMARY

Efficacy: 106LPW

Delivered Light Output: 4235Lumens

Input Power: 40Watts

CRI: Ra>80

DLC CCT: 4000K/5000K

Input Voltage: 120-277 VAC

Input current: 0.4 -0.16A

THD:<20%(at 277V)

Power Factor: >0.9(277V)

Diver output: DC36V 1A

Standard Warranty: 5 Years

Standard Lifetime: Designed to L70 minimum 50,000 hours

Mounting: Recessed

0-10v dimming, 10%-100% smooth linear dimming

Sign Current:0.04-0.37MA

Dimensions: L 47.7" x W 23.8" x H 3.9"

Weight:8.70KG/19.18lbs

Fixture measurement and weight are round up, pls contact your OKT representative for exact data.

REGULATORY & VOLUNTARY QUALIFICATIONS

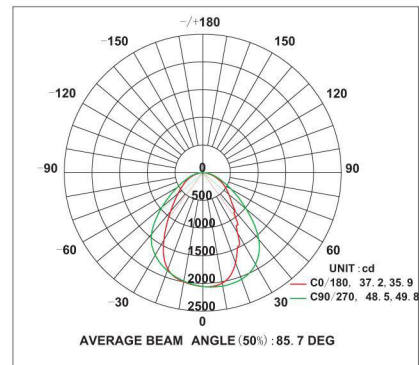
DLC List	Yes
LM79 Report	Yes
Suitable for Damp Locations	Yes

PHOTOMETRY

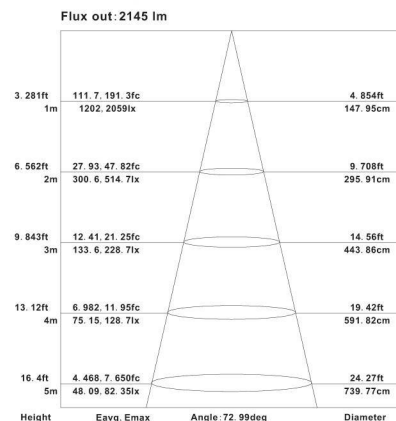
Fixture photometry has been conducted accredited testing laboratory in accordance with IESNA LM-79-08. IESNA LM-79-08 specifies the entire luminaire as the source resulting in a fixture efficiency of 100%.Result may vary per actual order.

LUMINOUS INTENSITY DISTRIBUTION DIAGRAM

GLO-DM-40E



AVERAGE ILLUMINANCE CURVE



Note: The Curves indicate the illuminated area and the average illumination when the luminaire is at different distance.

ZONAL FLUX DIAGRAM

T	C0	C45	C90	C135	C180	C225	c270	c315
10	2024	2066	2077	2023	2000	1982	1988	2008
20	1728	1919	2047	1918	1853	1862	1881	1812
30	1253	1527	1904	1627	1412	1582	1721	1402
40	906.8	1075	1571	1129	903.9	1113	1440	951.5
50	615.6	757.0	1026	687.9	585.8	699.4	963.6	643.5
60	432.2	469.7	583.4	420.4	394.3	448.9	542.5	403.9
70	251.3	281.0	302.9	247.6	237.4	269.1	286.5	241.4
80	81.09	113.5	136.1	109.0	86.01	117.0	126.5	96.08
90	0	0	0.2106	0.0372	0.0528	0.1171	0.1146	0

DEG LUMINOUS INTENSITY:cd

ZONAL LUMEN SUMMARY

T	φ zone	φ total	%lum, lamp
0-10	194.6	194.6	4.59
10-20	554.3	748.9	17.7
20-30	798.1	1547	36.5
30-40	843.8	2391	56.4
40-50	716.5	3107	73.4
50-60	530.3	3638	85.9
60-70	354.4	3992	94.3
70-80	194.4	4187	98.8
80-90	47.53	4234	100

UNIT:lm

COEFFICIENTS OF UTILIZATION

ppc	80%			70%			50%			30%			10%			0
	50%	30%	10%	50%	30%	10%	50%	30%	10%	50%	30%	10%	50%	30%	10%	0
pw																0
pfc																0
RCR	RCR:Room Cavity Ratio (CU)															
0.0	113	113	113	111	111	111	106	106	106	101	101	101	97	97	97	95
1.0	101	97	94	99	95	93	95	92	90	91	89	87	88	86	84	82
2.0	90	84	79	88	82	78	84	80	76	81	78	74	79	76	73	71
3.0	80	73	67	78	72	67	76	70	66	73	68	64	71	67	63	61
4.0	72	64	58	71	63	58	68	62	57	66	61	56	64	60	56	54
5.0	65	57	51	64	57	51	62	55	50	60	54	50	58	53	49	48
6.0	59	51	46	58	51	45	57	50	45	55	49	45	54	48	44	42
7.0	54	46	41	53	46	41	52	45	40	51	45	40	49	44	40	38
8.0	50	42	37	49	42	37	48	41	37	47	41	36	46	40	36	34
9.0	46	39	34	45	38	34	44	38	33	43	37	33	42	37	33	31
10.0	43	35	31	42	35	31	41	35	31	40	35	30	40	34	30	29

GLO-DM347-40E

PERFORMANCE SUMMARY

Efficacy: 106LPW
Delivered Light Output: 4235Lumens
Input Power: 42Watts
CRI: Ra>80
DLC CCT: 4000K/5000K
Input Voltage: 347-480 VAC
Input current: 0.4 -0.16A
THD:<20%(at 480V)
Power Factor: >0.9(480V)
Diver output: DC38V 1.05A
Standard Warranty: 5 Years
Standard Lifetime: Designed to L70 minimum 50,000 hours
Mounting: Recessed
0-10v dimming, 10%-100% smooth linear dimming
Sign Current:0.04-0.37MA
Dimensions: L 47.7" x W 23.8" x H 3.9"
Weight:8.70KG/19.18lbs
Fixture measurement and weight are round up, pls contact your OKT representative for exact data.

REGULATORY & VOLUNTARY QUALIFICATIONS

DLC List	Yes
LM79 Report	Yes
Suitable for Damp Locations	Yes

ZONAL FLUX DIAGRAM

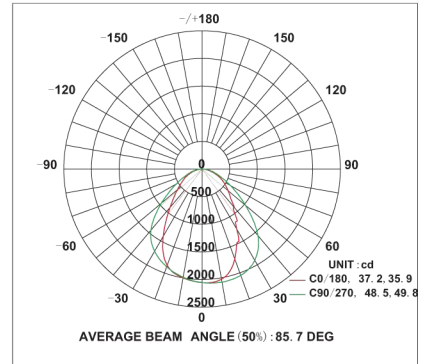
T	C0	C45	C90	C135	C180	C225	c270	c315
10	2024	2066	2077	2023	2000	1982	1988	2008
20	1728	1919	2047	1918	1853	1862	1881	1812
30	1253	1527	1904	1627	1412	1582	1721	1402
40	906.8	1075	1571	1129	903.9	1113	1440	951.5
50	615.6	757.0	1026	687.9	585.8	699.4	963.6	643.5
60	432.2	469.7	583.4	420.4	394.3	448.9	542.5	403.9
70	251.3	281.0	302.9	247.6	237.4	269.1	286.5	241.4
80	81.09	113.5	136.1	109.0	86.01	117.0	126.5	96.08
90	0	0	0.2106	0.0372	0.0528	0.1171	0.1146	0
DEG	LUMINOUS INTENSITY:cd							

PHOTOMETRY

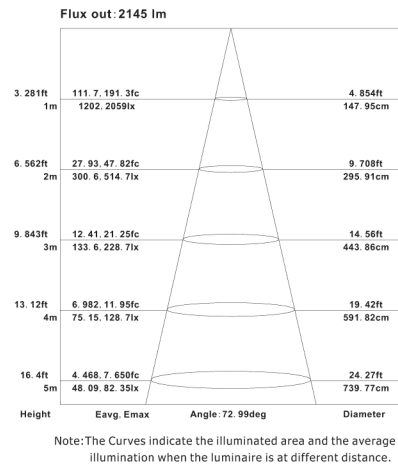
Fixture photometry has been conducted accredited testing laboratory in accordance with IESNA LM-79-08. IESNA LM-79-08 specifies the entire luminaire as the source resulting in a fixture efficiency of 100%.Result may vary per actual order.

LUMINOUS INTENSITY DISTRIBUTION DIAGRAM

GLO-DM347-40E



AVERAGE ILLUMINANCE CURVE



ZONAL LUMEN SUMMARY

T	φ zone	φ total	%lum, lamp
0-10	194.6	194.6	4.59
10-20	554.3	748.9	17.7
20-30	798.1	1547	36.5
30-40	843.8	2391	56.4
40-50	716.5	3107	73.4
50-60	530.3	3638	85.9
60-70	354.4	3992	94.3
70-80	194.4	4187	98.8
80-90	47.53	4234	100
			UNIT:lm

COEFFICIENTS OF UTILIZATION

ppc	80%			70%			50%			30%			10%			0		
	50%	30%	10%	50%	30%	10%	50%	30%	10%	50%	30%	10%	50%	30%	10%	0		
pw	20%			20%			20%			20%			20%			0		
	20%	20%	20%	20%	20%	20%	20%	20%	20%	20%	20%	20%	20%	20%	20%	0		
RCR	RCR:Room Cavity Ratio						(CU)											
0.0	113	113	113	111	111	111	106	106	106	101	101	101	97	97	97	95		
1.0	101	97	94	99	95	93	95	92	90	91	89	87	88	86	84	82		
2.0	90	84	79	88	82	78	84	80	76	81	78	74	79	76	73	71		
3.0	80	73	67	78	72	67	76	70	66	73	68	64	71	67	63	61		
4.0	72	64	58	71	63	58	68	62	57	66	61	56	64	60	56	54		
5.0	65	57	51	64	57	51	62	55	50	60	54	50	58	53	49	48		
6.0	59	51	46	58	51	45	57	50	45	55	49	45	54	48	44	42		
7.0	54	46	41	53	46	41	52	45	40	51	45	40	49	44	40	38		
8.0	50	42	37	49	42	37	48	41	37	47	41	36	46	40	36	34		
9.0	46	39	34	45	38	34	44	38	33	43	37	33	42	37	33	31		
10.0	43	35	31	42	35	31	41	35	31	40	35	30	40	34	30	29		

GLO-DH-40E

PERFORMANCE SUMMARY

Efficacy: 108LPW

Delivered Light Output: 7010Lumens

Input Power: 65Watts

CRI: Ra>80

DLC CCT: 4000K/5000K

Input Voltage: 120-277 VAC

Input current: 0.4 -0.16A

THD:<20%(at 277V)

Power Factor: >0.9(277V)

Diver output: DC36V 1.6A

Standard Warranty: 5 Years

Standard Lifetime: Designed to L70 minimum 50,000 hours

Mounting: Recessed

0-10v dimming, 10%-100% smooth linear dimming

Sign Current:0.04-0.37MA

Dimensions: L 47.7" x W 23.8" x H 3.9"

Weight:8.34KG/18.39lbs

Fixture measurement and weight are round up, pls contact your OKT representative for exact data.

REGULATORY & VOLUNTARY QUALIFICATIONS

DLC List Yes

LM79 Report Yes

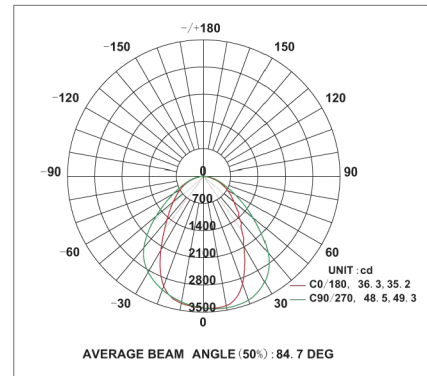
Suitable for Damp Locations Yes

PHOTOMETRY

Fixture photometry has been conducted accredited testing laboratory in accordance with IESNA LM-79-08. IESNA LM-79-08 specifies the entire luminaire as the source resulting in a fixture efficiency of 100%.Result may vary per actual order.

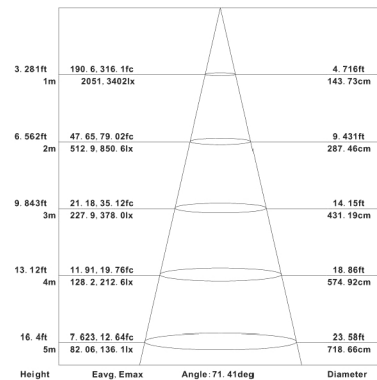
LUMINOUS INTENSITY DISTRIBUTION DIAGRAM

GLO-DH-40E



AVERAGE ILLUMINANCE CURVE

Flux out: 3402 lm



Note: The Curves indicate the illuminated area and the average illumination when the luminaire is at different distance.

ZONAL FLUX DIAGRAM

T	C0	C45	C90	C135	C180	C225	c270	c315
10	3382	3436	3440	3351	3320	3286	3284	3338
20	2941	3266	3392	3154	3008	3072	3110	3067
30	2080	2621	3138	2584	2207	2541	2853	2383
40	1468	1807	2569	1769	1469	1785	2894	1606
50	1025	1182	1662	1123	1026	1169	1599	1058
60	718.0	777.0	940.3	716.1	706.4	781.2	899.2	674.9
70	411.7	463.8	488.4	425.3	423.7	471.2	472.5	401.0
80	96.46	182.2	218.3	186.2	151.9	206.2	208.6	151.6
90	0	0.0017	0.3880	0.6267	0.5909	0.5918	0.6359	0.4158
DEG	LUMINOUS INTENSITY:cd							

ZONAL LUMEN SUMMARY

T	φ zone	φ total	%lum, lamp
0-10	322.3	322.3	4.6
10-20	922.4	1245	17.8
20-30	1318	2563	36.6
30-40	1378	3941	56.2
40-50	1183	5123	73.1
50-60	885.1	6008	85.7
60-70	595.7	6604	94.2
70-80	325.3	6929	98.8
80-90	76.24	7006	99.9
UNIT:lm			

COEFFICIENTS OF UTILIZATION

ppc	80%			70%			50%			30%			10%			0
	50%	30%	10%	50%	30%	10%	50%	30%	10%	50%	30%	10%	50%	30%	10%	0
pfc	20%			20%			20%			20%			20%			0
RCR	RCR:Room Cavity Ratio (CU)															
0.0	197	197	197	192	192	192	184	184	184	176	176	176	169	169	169	165
1.0	175	169	163	172	166	161	165	160	156	158	154	151	152	149	146	143
2.0	156	145	137	152	143	135	147	139	132	141	135	129	136	131	126	123
3.0	139	127	117	136	125	116	131	122	114	127	119	112	123	116	110	107
4.0	125	111	101	123	110	101	118	108	99	115	105	98	111	103	97	93
5.0	113	99	89	111	98	89	108	96	88	104	94	87	101	93	86	83
6.0	103	89	79	101	88	79	98	87	78	95	85	77	93	84	77	74
7.0	94	80	71	92	80	71	90	79	70	88	77	70	86	76	69	66
8.0	86	73	64	85	73	64	83	72	64	81	71	63	79	70	63	60
9.0	80	67	58	79	67	58	77	66	58	75	65	58	74	64	57	54
10.0	74	62	53	73	61	53	72	61	53	70	60	53	69	59	53	50